

EDER
STAPLER

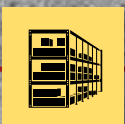


**STRONG PARTNERS.
TOUGH TRUCKS.™**



HYSTER WEIGH SCALE HAND PALLET TRUCK

PLPM 2.5-w QL and ELPM2.5-w



ELPM2.5-W AND PLPM2.5-W QL

DISTINGUISHING MARK	1.1	Manufacturer (abbreviation)	
	1.2	Model designation	
	1.3	Drive: electric (battery or mains). diesel. petrol. fuel gas	
	1.4	Operator type: hand. pedestrian. standing. seated. order-picker	
	1.5	Rated capacity/rated load	Q (t)
	1.6	Load centre distance	c (mm)
	1.8	Load distance. centre of drive axle to fork	x (mm)
	1.9	Wheelbase	y (mm)

HYSTER	1.1	DISTINGUISHING MARK
ELPM2.5 / PLPM2.5	1.2	
Manual	1.3	
Hand	1.4	
2.5	1.5	
600	1.6	
955	1.8	
1210	1.9	

WEIGHT	2.1	Service weight	kg
	2.2	Axle loading. laden front/rear	kg
	2.3	Axle loading. unladen front/rear	kg

60	2.1	WEIGHT
600 / 1428	2.2	
39 / 21	2.3	

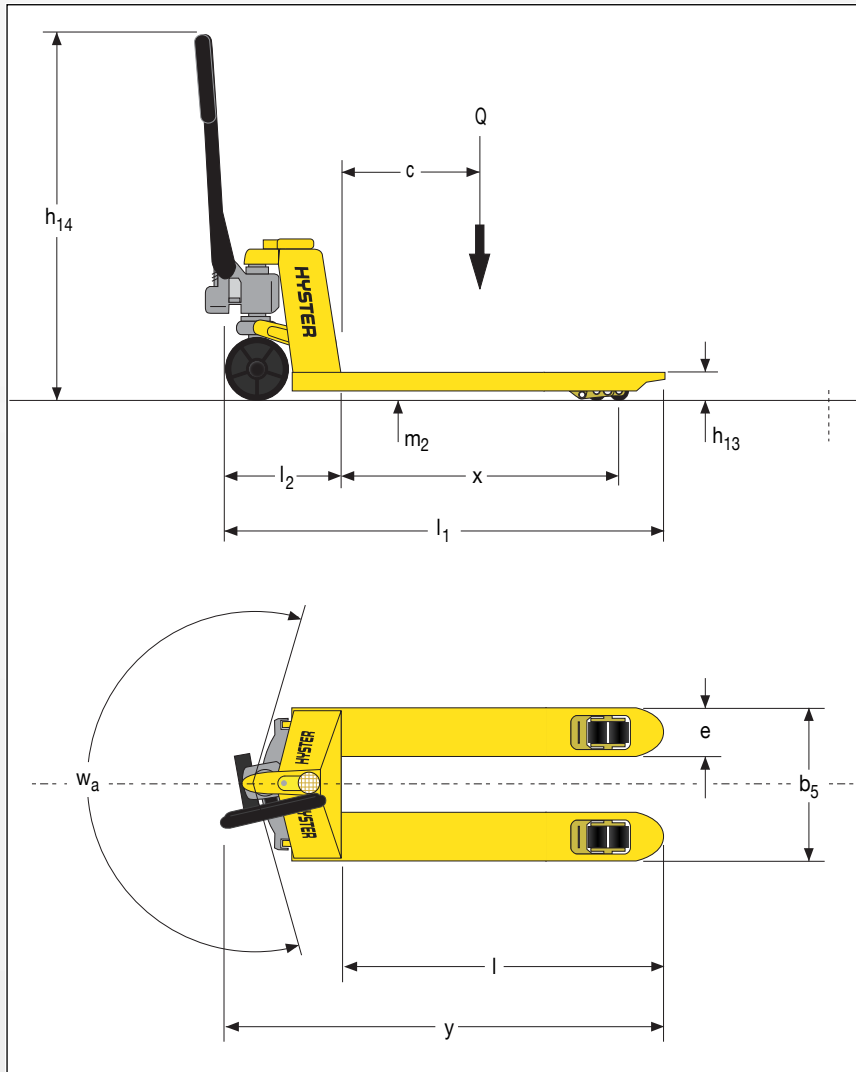
TYRES/CHASSIS	3.1	Tyres front / rear: PU=Polyurethane. NY=Nylon. RU=Rubber	
	3.2	Tyre size. front	mm
	3.3	Tyre size. rear	
	3.5	Wheels. number front/rear (x = driven wheels)	b10 (mm)
	3.6	Tread. front	b11 (mm)
	3.7	Tread. rear	

PU. NY. RU / PU. NY	3.1	TYRES/CHASSIS
180x50	3.2	
Φ74x93 / Φ74x70	3.3	
2/2 / 2/4	3.5	
160	3.6	
440 / 430	3.7	

DIMENSIONS	4.4	Lift	h3 (mm)
	4.9	Height of tiller arm in drive position min. / max.	mm
	4.15	Lowered height	mm
	4.19	Overall length	l1 (mm)
	4.20	Length to face of forks	l2 (mm)
	4.21	Overall width	b1/b2 (mm)
	4.22	Fork dimensions ISO 2331	s / e / l (mm)
	4.25	Width over forks	mm
	4.32	Ground clearance. centre of wheelbase	m2 (mm)
	4.34.1	Aisle width for pallets 1000 × 1200 crossways	Ast (mm)
	4.34.2	Aisle width for pallets 800 × 1200 lengthways	Ast (mm)
	4.35	Turning radius	Wa (mm)

115	4.4	DIMENSIONS
1240	4.9	
85	4.15	
1530	4.19	
350	4.20	
520	4.21	
50 / 160 / 1150	4.22	
520	4.25	
32	4.32	
1743/1813	4.34.1	
1783/1813	4.34.2	
1276	4.35	

Specification data is based on VDI 2198



NOTE:

Specifications are affected by the condition of the vehicle and how it is equipped, as well as the nature and condition of the operating area. If these specifications are critical, the proposed application should be discussed with your dealer.

NOTICE

Care must be exercised when handling elevated loads. When the carriage and/or load is elevated, truck stability is reduced. It is important that mast tilt in either direction be kept to a minimum when loads are elevated. Operators must be trained and adhere to the instructions contained in the Operating Manual. Hyster products are subject to change without notice. Lift trucks illustrated may feature optional equipment.

Safety:

This truck conforms to the current EU requirements.

STRONG PARTNERS. TOUGH TRUCKS.™

FOR DEMANDING OPERATIONS, EVERYWHERE.

Hyster supplies a complete range of warehouse equipment, IC and electric counterbalanced trucks, container handlers and reach stackers. Hyster is committed to being much more than a lift truck supplier.

Our aim is to offer a complete partnership capable of responding to the full spectrum of material handling issues: Whether you need professional consultancy on your fleet management, fully qualified service support, or reliable parts supply, you can depend on Hyster.

Our network of highly trained dealers provides expert, responsive local support. They can offer cost-effective finance packages and introduce effectively managed maintenance programmes to ensure that you get the best possible value. Our business is dealing with your material handling needs so you can focus on the success of your business today and in the future.



HYSTER EUROPE

Centennial House, Frimley Business Park, Frimley, Surrey, GU16 7SG, England.

Tel: +44 (0) 1276 538500



www.hyster.eu



am-marketing@hyster.com



[/HysterEurope](https://www.facebook.com/HysterEurope)



[@HysterEurope](https://twitter.com/HysterEurope)



[/HysterEurope](https://www.youtube.com/HysterEurope)



HYSTER is a registered trademark in the European Union and certain other jurisdictions.

Hyster products are subject to change without notice. Lift trucks illustrated may feature optional equipment.

A division of NACCO Materials Handling Limited.

